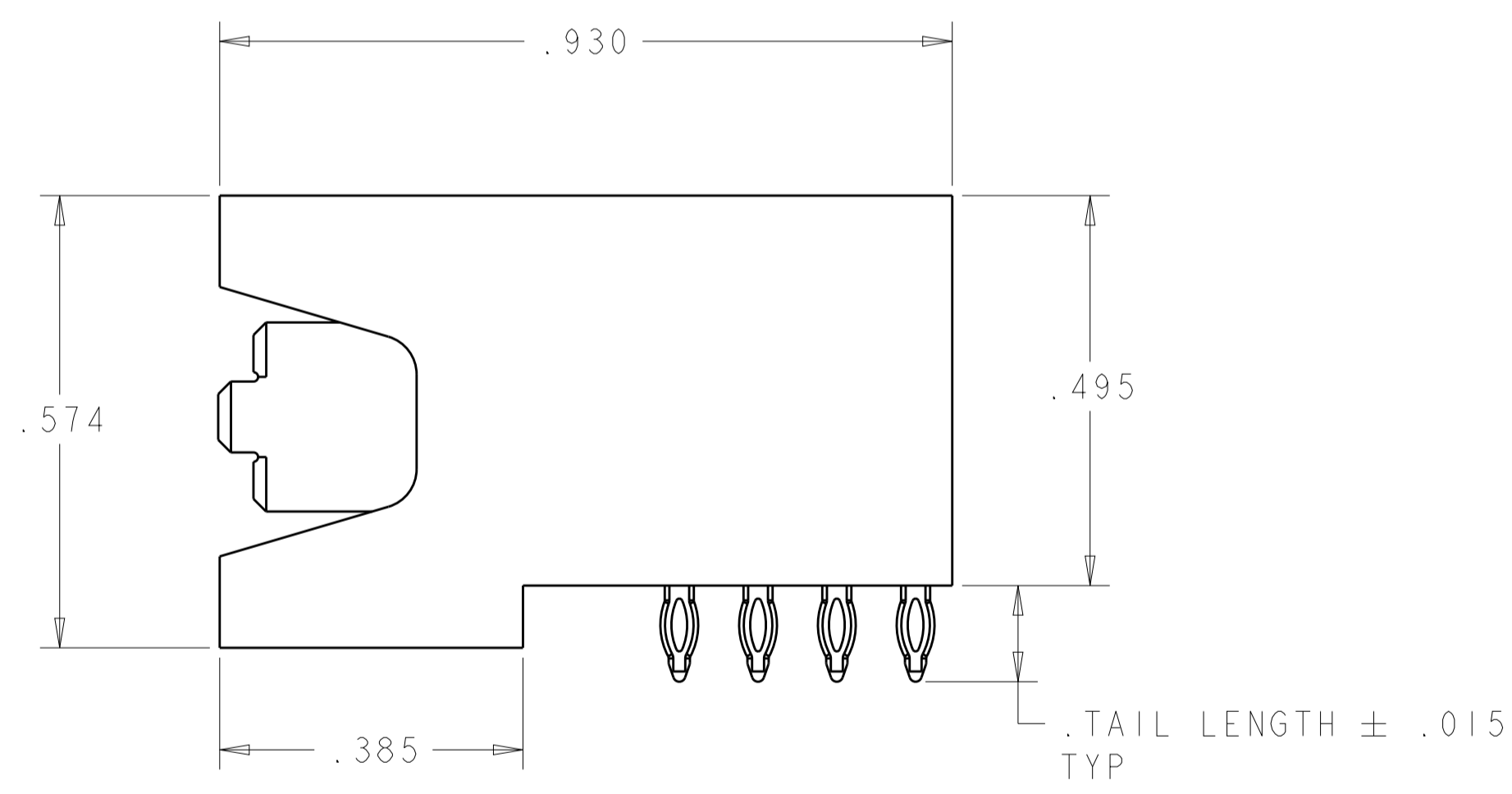
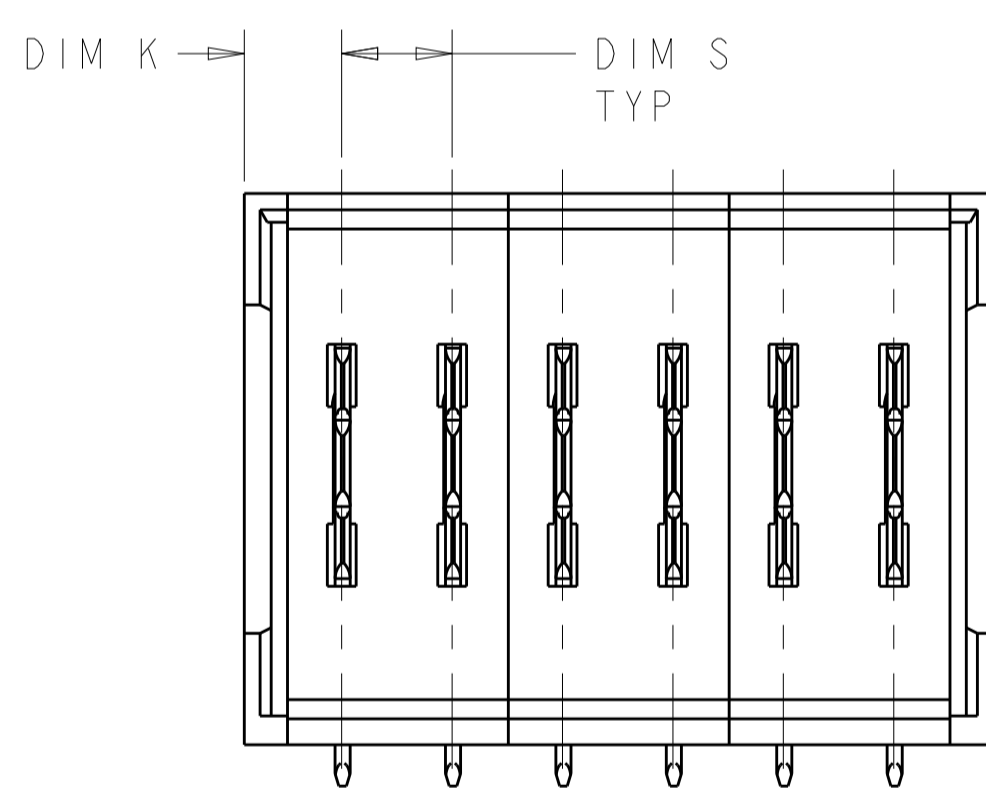
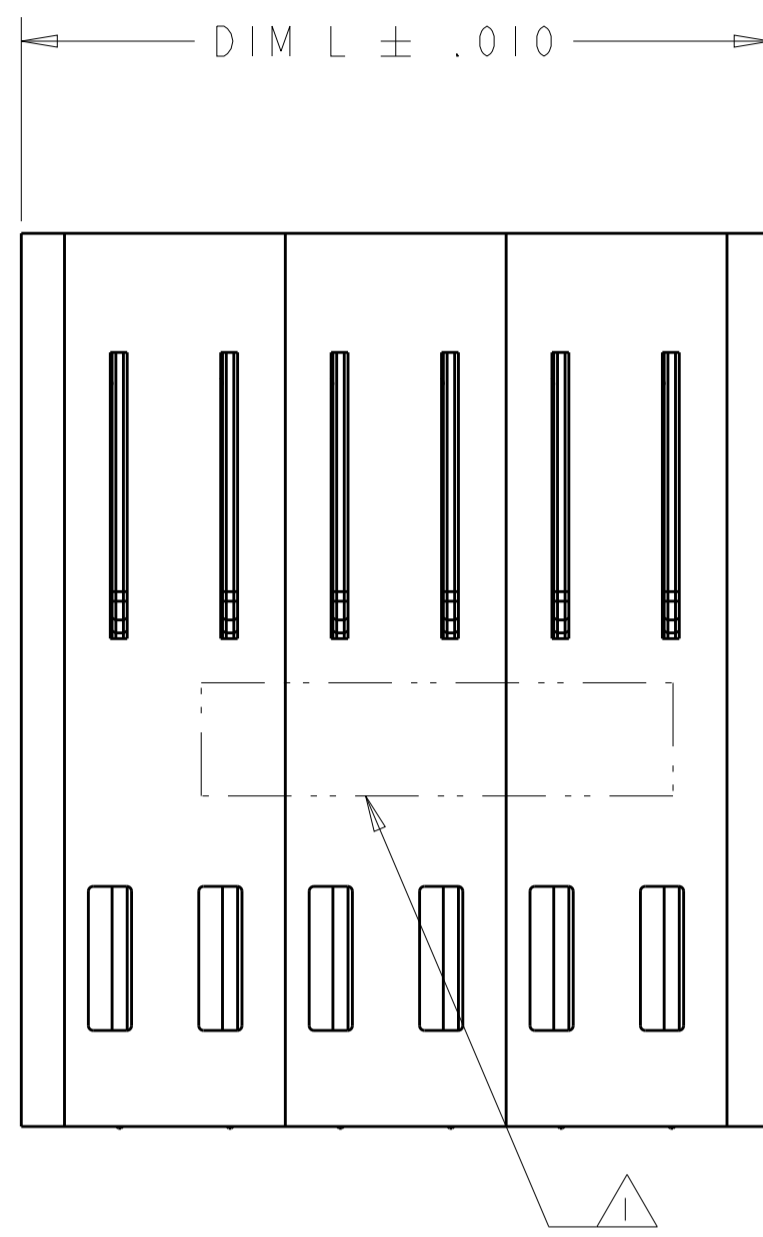


LOC		DIST		REVISIONS			
ES	00	P	LTN	DESCRIPTION	DATE	DMN	APVD
		D3		ADD NEW DASH NUMBER 1-5	20MAR2015	CZ	SZ




- △ "AMP" PART NUMBER AND DATE CODE TO BE MARKED IN AREA SHOWN. PARTS UNDER 2.00 LONG MAY BE MARKED ON BOTH SIDES.
- △ MATERIAL: HOUSING - GLASS FILLED HIGH TEMP THERMO PLASTIC, UL94 V-0
POWER CONTACT - HIGH CONDUCTIVITY COPPER ALLOY
- △ CONTACT PLATING: NOBLE METAL PLATING ON CONTACT FUNCTIONAL AREA OF POWER AND SIGNAL CONTACTS
- △ MECHANICAL CONNECTOR KEEP OUT ZONE
- △ DATUM AND BASIC DIMENSIONS ESTABLISHED BY CUSTOMER
- △ PCB - ALL HOLE DIAMETERS ARE FINISHED HOLE SIZES.
- △ PCB - .0453±.0010 DRILLED HOLES WITH .0003 WITH Sn OVER .001 TO .003 Cu PLATING TO ACHIEVE A .040±.003 DIA HOLE
- △ PLEASE REFER TO PART VIEW FOR DETAIL DIMENSIONS.

THIS DRAWING IS A CONTROLLED DOCUMENT.		DMN H. LIU 30APR2008	TE Connectivity
DIMENSIONS: INCHES		CHK S. ZHAO 30APR2008	
TOLERANCES UNLESS OTHERWISE SPECIFIED:		APVD S. YAO	NAME RIGHT ANGLE HEADER ASSEMBLY NO GUIDES MULTI-BEAM XLE
0 PLC ±	1 PLC ±.01	PRODUCT SPEC 108-2292	SIZE A100779
2 PLC ±.005	3 PLC ±.0020	APPLICATION SPEC 114-13038	CAGE CODE C=6450849
4 PLC ±.0020	ANGLES ±.7°	WEIGHT	RESTRICTED TO
MATERIAL △	FINISH △	CUSTOMER DRAWING	SCALE 4:1 SHEET 1 OF 8 REV D3

THIS DRAWING IS UNPUBLISHED. RELEASED FOR PUBLICATION 20
 © COPYRIGHT 20 BY - ALL RIGHTS RESERVED.

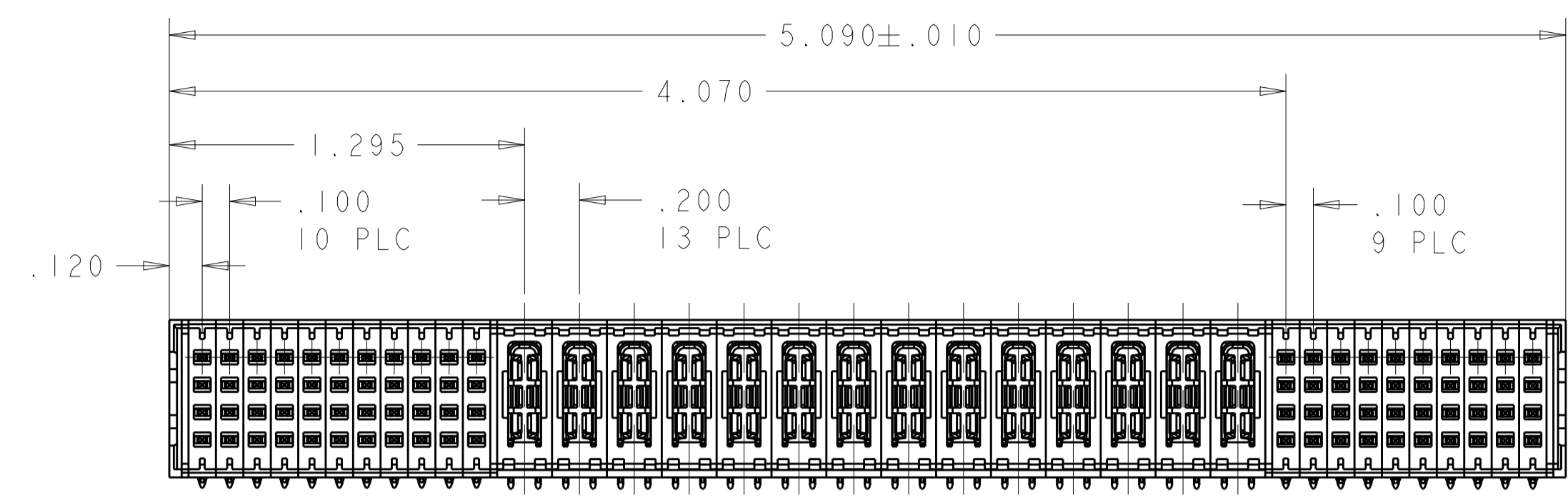
LOC	DIST	REVISIONS					
ES	00	P	LTN	DESCRIPTION	DATE	DWN	APVD
		-		SEE SHEET 1			

.115	-	-	.1025	.435	3LP	1-6450849-5
.115	-	-	.1025	.320	2LP	1-6450849-4
-	1.2675	.260	.1025	1.370	1LP + 40S + 1LP	1-6450849-3 ⁸
-	-	-	-	.450	2P	1-6450849-2 ⁸
-	-	-	-	.540	2P	1-6450849-0 ⁸
-	-	-	-	-	2HDP + 3LP + 40S + 4LP + 2HDP	6450849-9 ⁸
-	.5175	.260	.1025	.630	1LP + 8S + 1LP	6450849-8 ⁸
-	-	-	-	-	2ACP+1LP+32S+3HDP+1LP+1HDP	6450849-7 ⁸
-	-	-	-	-	8P	6450849-4 ⁸
-	-	-	-	-	12P	6450849-3 ⁸
-	-	-	-	-	44S+14P+40S	6450849-2 ⁸
.115	-	-	.1025	.780	6LP	6450849-1
DIM S	DIM R	DIM W	DIM K	DIM L	DESCRIPTION	PART NUMBER

THIS DRAWING IS A CONTROLLED DOCUMENT.		DWN	30APR2008		TE Connectivity	
		CHK	30APR2008			
DIMENSIONS:		TOLERANCES UNLESS OTHERWISE SPECIFIED:		NAME		
INCHES		0 PLC ±.01		RIGHT ANGLE HEADER ASSEMBLY		
		1 PLC ±.01		NO GUIDES		
		2 PLC ±.01		MULTI-BEAM XLE		
		3 PLC ±.005		SIZE		
		4 PLC ±.0020		CAGE CODE		
		ANGLES		DRAWING NO		
		FINISH		RESTRICTED TO		
MATERIAL		WEIGHT		A100779		
		CUSTOMER DRAWING		C=6450849		
		SCALE		4:1		
		SHEET		2 OF 8		
		REV		D3		

LOC	DIST	REVISIONS			
P	LTN	DESCRIPTION	DATE	OWN	APVD
-	-	SEE SHEET 1	-	-	-

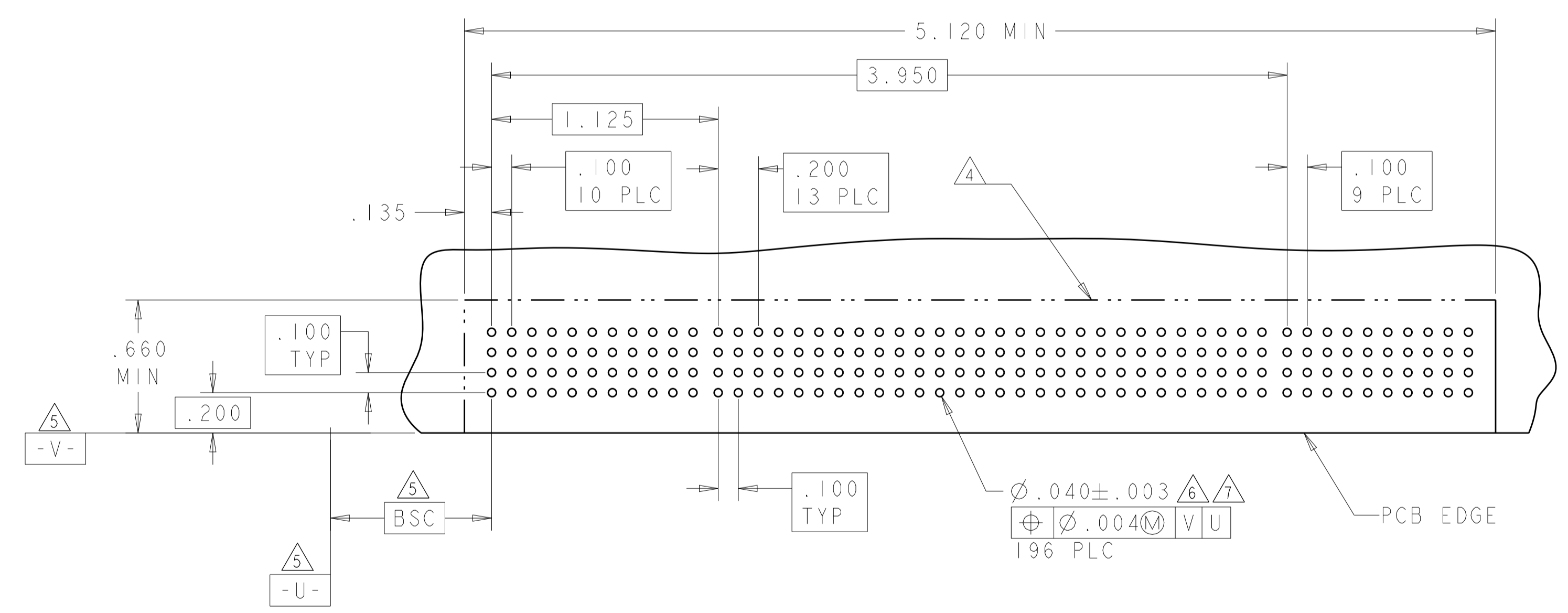
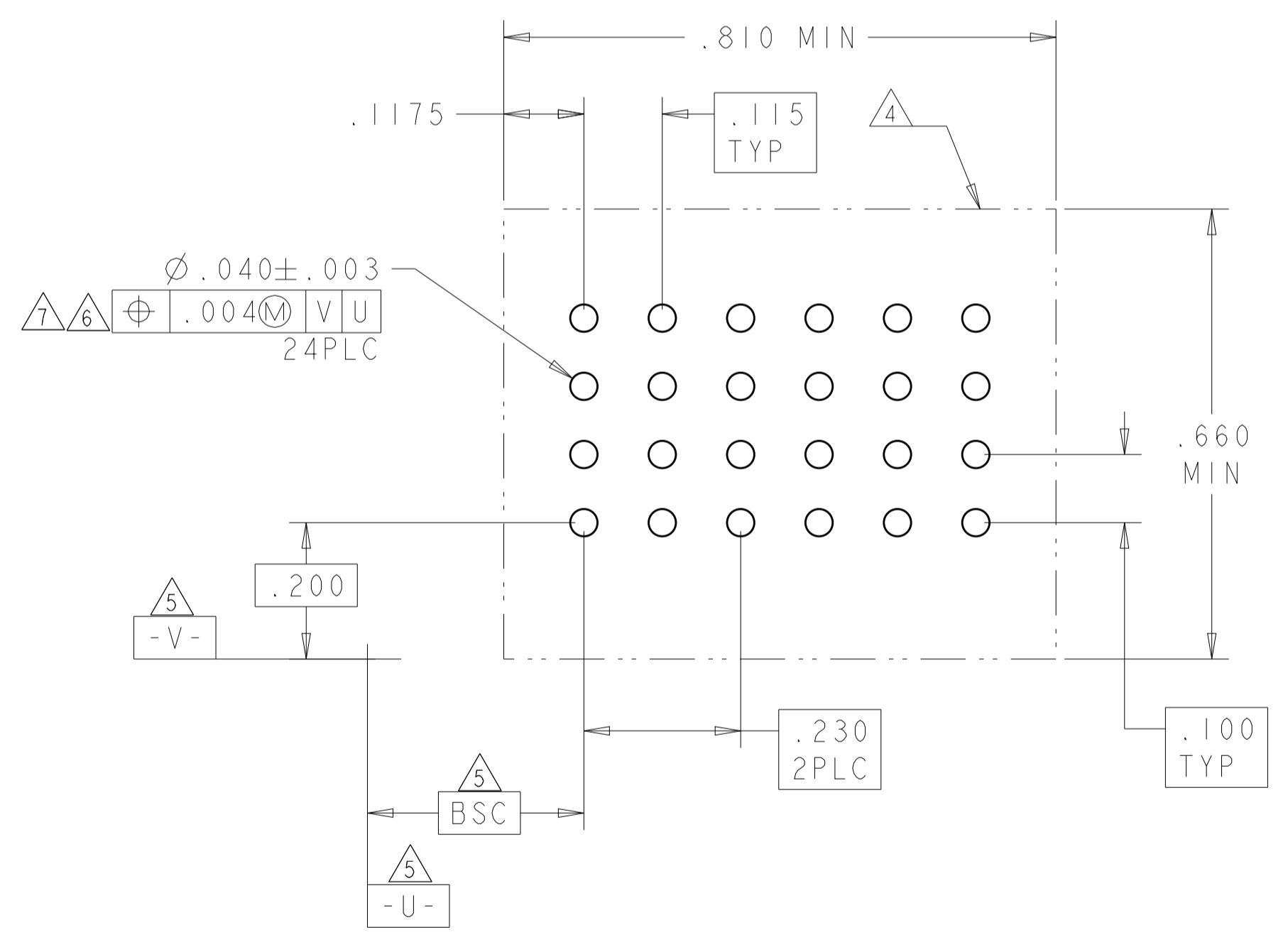
PART NUMBER	POWER					
	LP1	LP2	LP3	LP4	LP5	LP6
6450849-1	LT	LT	LT	LTF	LTF	LTF
6 LP						



PART NUMBER: 6450849-2

ASSY PART NUMBER	ROWS	SIGNAL										POWER										SIGNAL												
		1	2	3	4	5	6	7	8	9	10	P1	P2	P3	P4	P5	P6	P7	P8	P9	P10	P11	P12	P13	P14	1	2	3	4	5	6	7	8	9
6450849-2	D	Z5	Z5	Z5	Z5	Z5	Z5	Z5	Z5	Z5	TT	TT	TT	TT	TT	TT	TT	TT	TT	TT	TT	TT	TT	TT	Z5	Z5	Z5	Z5	Z5	Z5	Z5	Z5	Z5	Z5
	C	Y5	Y5	Y5	Y5	Y5	Y5	Y5	Y5	Y5	TT	TT	TT	TT	TT	TT	TT	TT	TT	TT	TT	TT	TT	TT	Y5	Y5	Y5	Y5	Y5	Y5	Y5	Y5	Y5	Y5
	B	R5	R5	R5	R5	R5	R5	R5	R5	R5	TT	TT	TT	TT	TT	TT	TT	TT	TT	TT	TT	TT	TT	TT	R5	R5	R5	R5	R5	R5	R5	R5	R5	R5
	A	O5	O5	O5	O5	O5	O5	O5	O5	O5	TT	TT	TT	TT	TT	TT	TT	TT	TT	TT	TT	TT	TT	TT	O5	O5	O5	O5	O5	O5	O5	O5	O5	O5

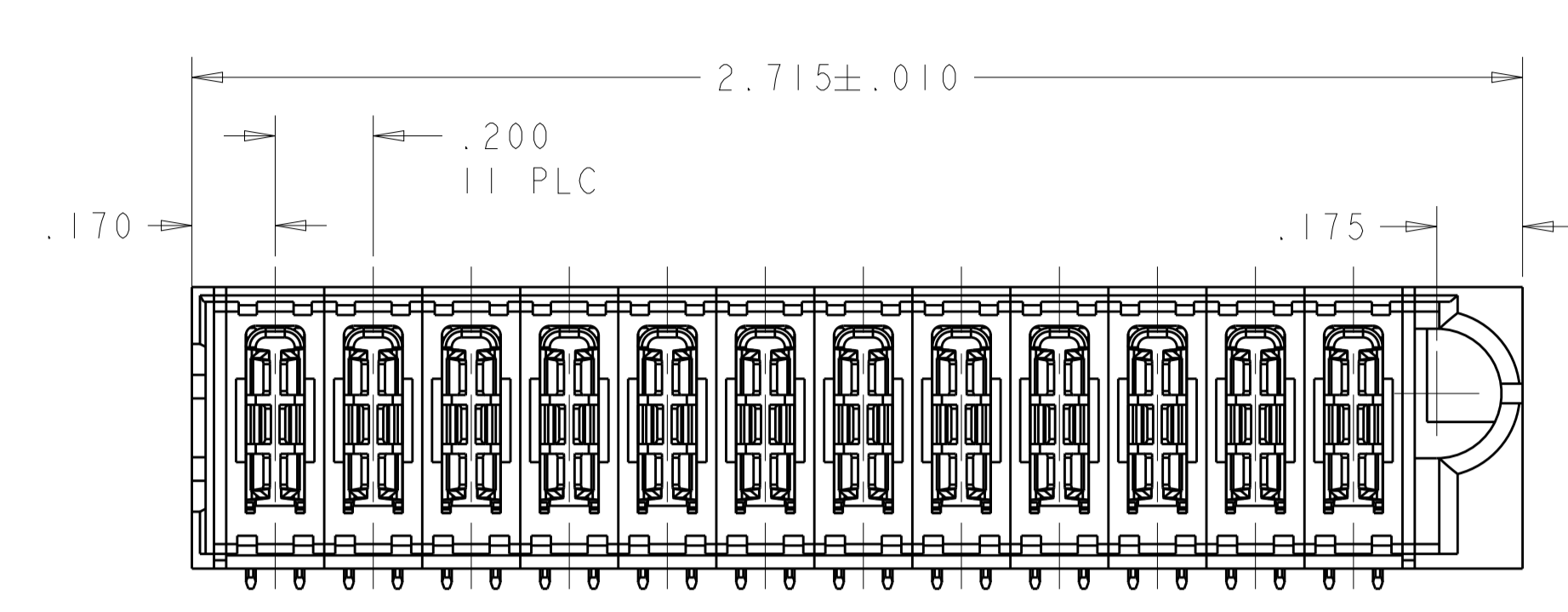
44S + 14P + 40S



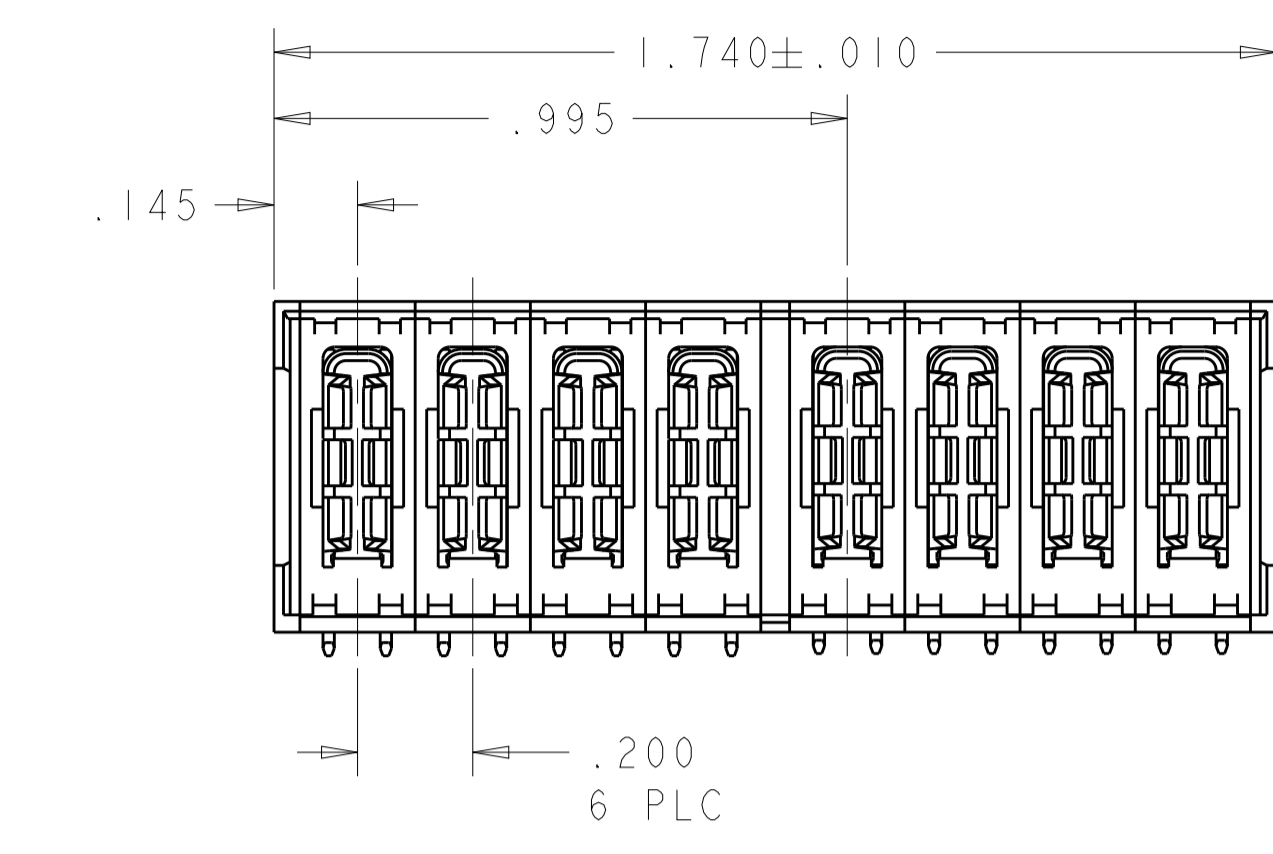
O1	.120 SIGNAL PRESS FIT CON, ROW A,MLBF
Z5	.120 SIGNAL PRESS FIT CON, ROW D,STD
Y5	.120 SIGNAL PRESS FIT CON, ROW C,STD
R5	.120 SIGNAL PRESS FIT CON, ROW B,STD
O5	.120 SIGNAL PRESS FIT CON, ROW A,STD
TT	.120 PRESS FIT POWER CON
LTF	MFBL, .120 TAIL LENGTH, PRESS FIT.
LT	STD, .120 TAIL LENGTH, PRESS FIT.
CODE	DESCRIPTION
	POWER CONTACT

THIS DRAWING IS A CONTROLLED DOCUMENT.		OWN: H.LIU 30APR2008	 TE Connectivity
DIMENSIONS: INCHES		CHK: S.ZHAO 30APR2008	
TOLERANCES UNLESS OTHERWISE SPECIFIED:		APVD: S.YAO	NAME: RIGHT ANGLE HEADER ASSEMBLY NO GUIDES MULTI-BEAM XLE
0 PLC ±.01	1 PLC ±.01	PRODUCT SPEC: 108-2292	SIZE: A100779
2 PLC ±.01	3 PLC ±.005	APPLICATION SPEC: 114-13038	CAGE CODE: C=6450849
4 PLC ±.0020	ANGLES ±.020	WEIGHT: -	RESTRICTED TO: -
MATERIAL: -	FINISH: -	CUSTOMER DRAWING	SCALE: 4:1 SHEET 3 OF 8 REV: D3

LOC	DIST	REVISIONS			
P	LTN	DESCRIPTION	DATE	DMN	APVD
ES	00	SEE SHEET 1	-	-	-

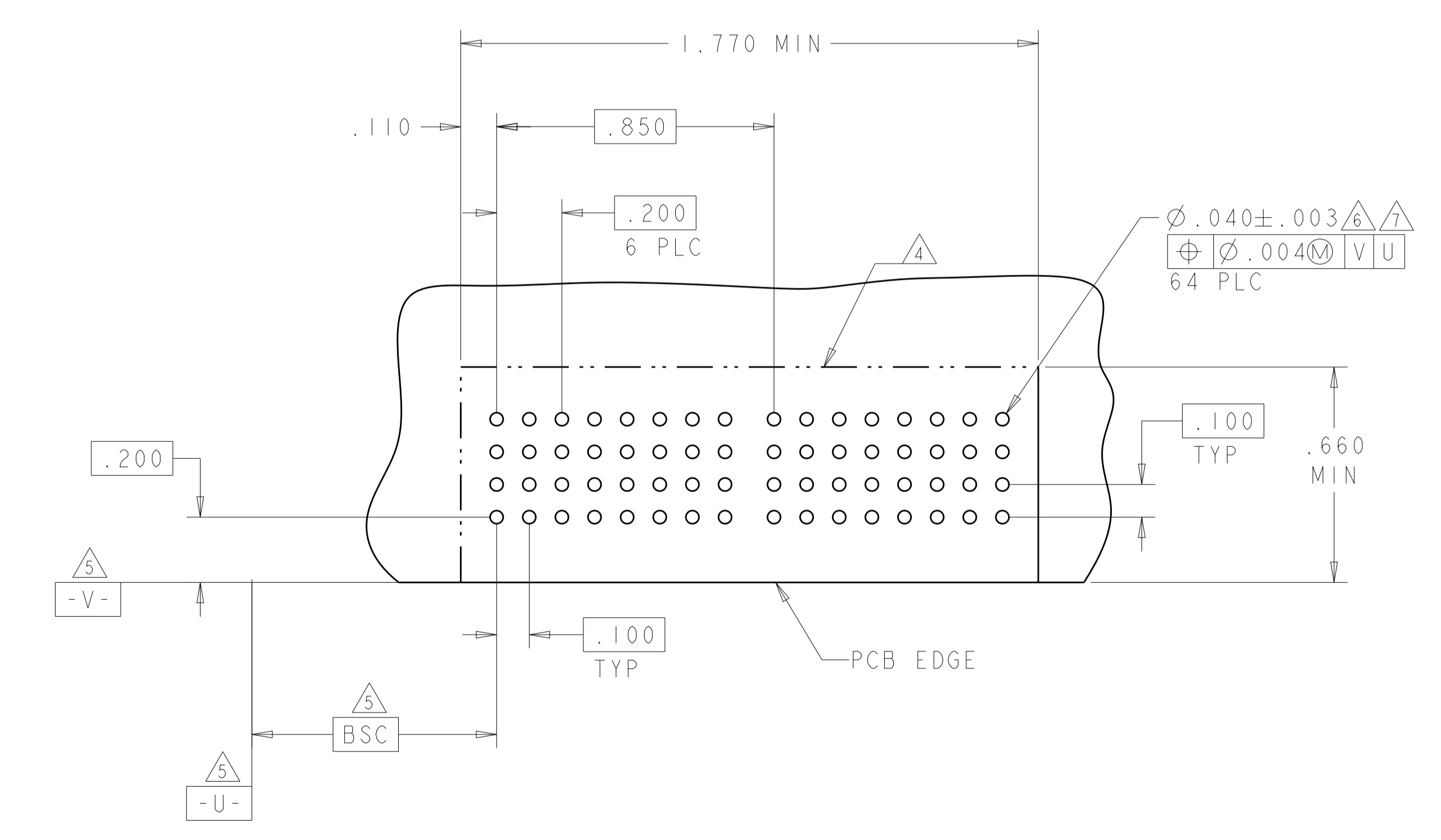
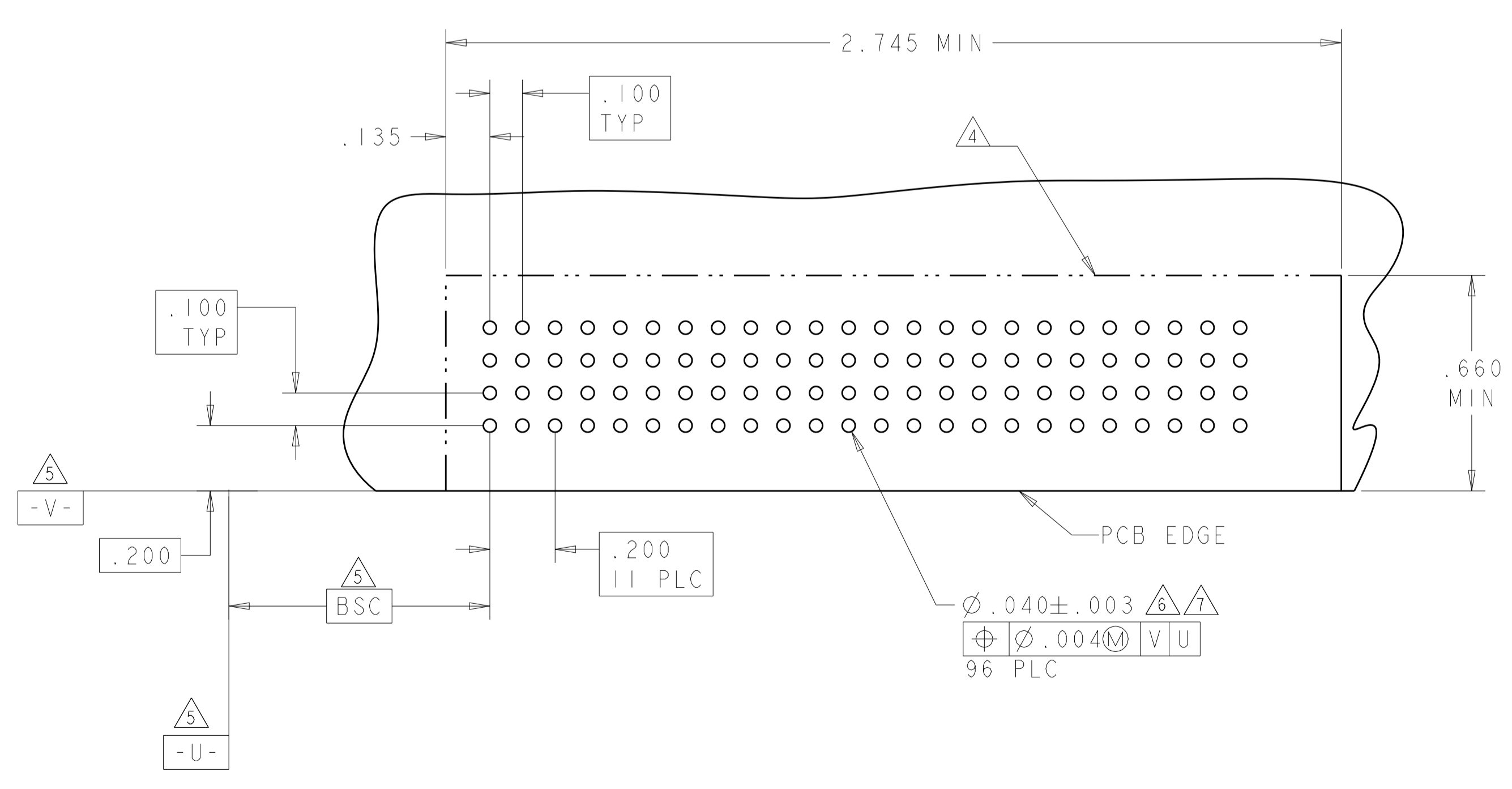


PART NUMBER: 6450849-3



ASSY PART NUMBER	POWER											
	P1	P2	P3	P4	P5	P6	P7	P8	P9	P10	P11	P12
6450849-3	TT	TT	TT	TT	TT	TT	TT	TT	TT	TT	TT	TT
12P												

PART NUMBER	ROWS	POWER							
		P1	P2	P3	P4	P5	P6	P7	P8
6450849-4	D								
	C	TT	TT	TT	TT	TT	TT	TT	TT
	B								
	A								
8P									



THIS DRAWING IS A CONTROLLED DOCUMENT. DWN: H.LIU 30APR2008
 CHK: S.ZHAO 30APR2008
 APVD: S.YAO

TE Connectivity

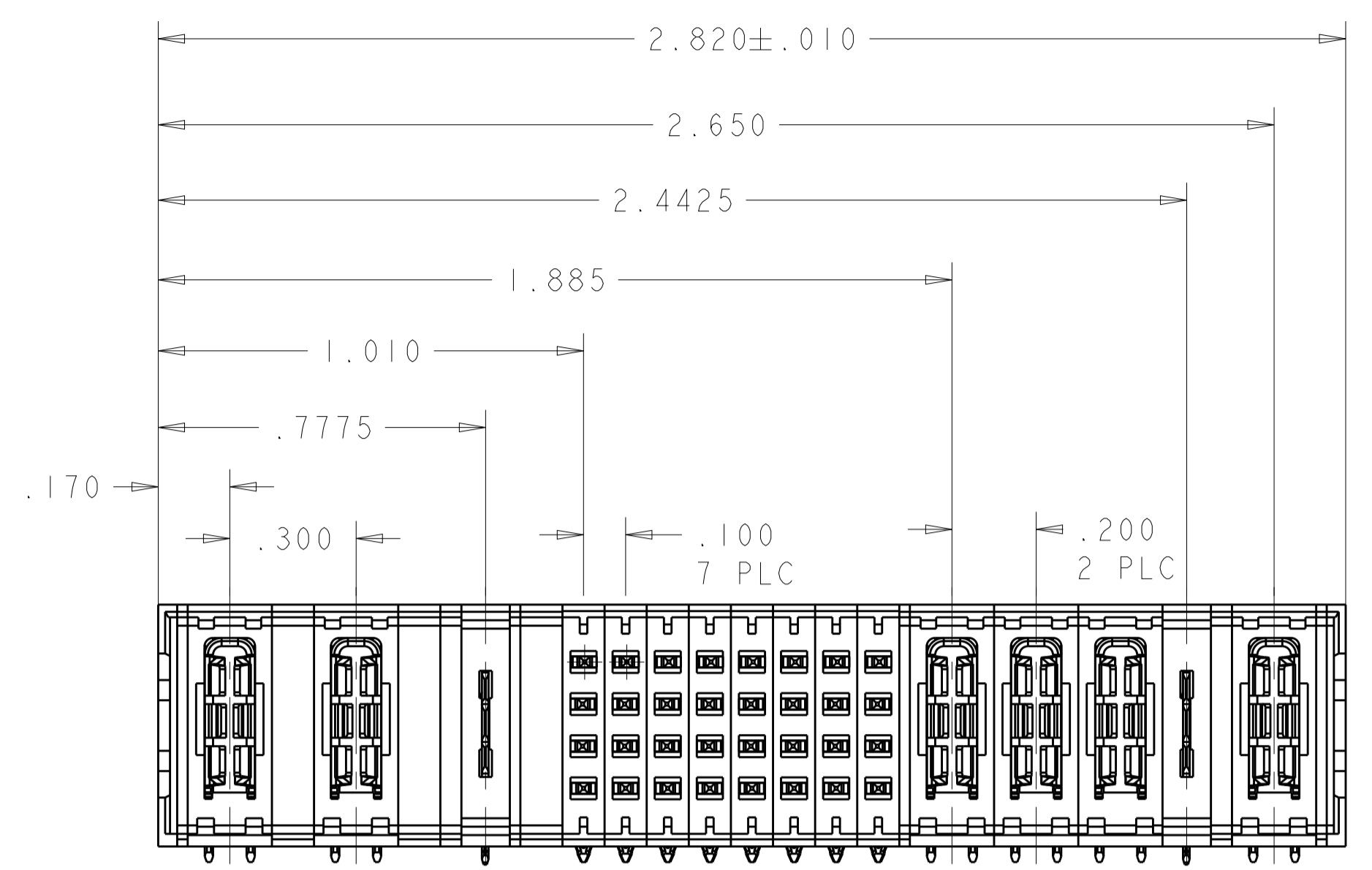
RIGHT ANGLE HEADER ASSEMBLY
 NO GUIDES
 MULTI-BEAM XLE

SIZE: A1 CAGE CODE: 114-13038 DRAWING NO: 100779 ©=6450849
 RESTRICTED TO: -

CUSTOMER DRAWING SCALE: 4:1 SHEET: 4 OF 8 REV: D3

DIMENSIONS:	TOLERANCES UNLESS OTHERWISE SPECIFIED:
INCHES	0 PLC ±.01 1 PLC ±.01 2 PLC ±.01 3 PLC ±.005 4 PLC ±.002 ANGLES ±.020

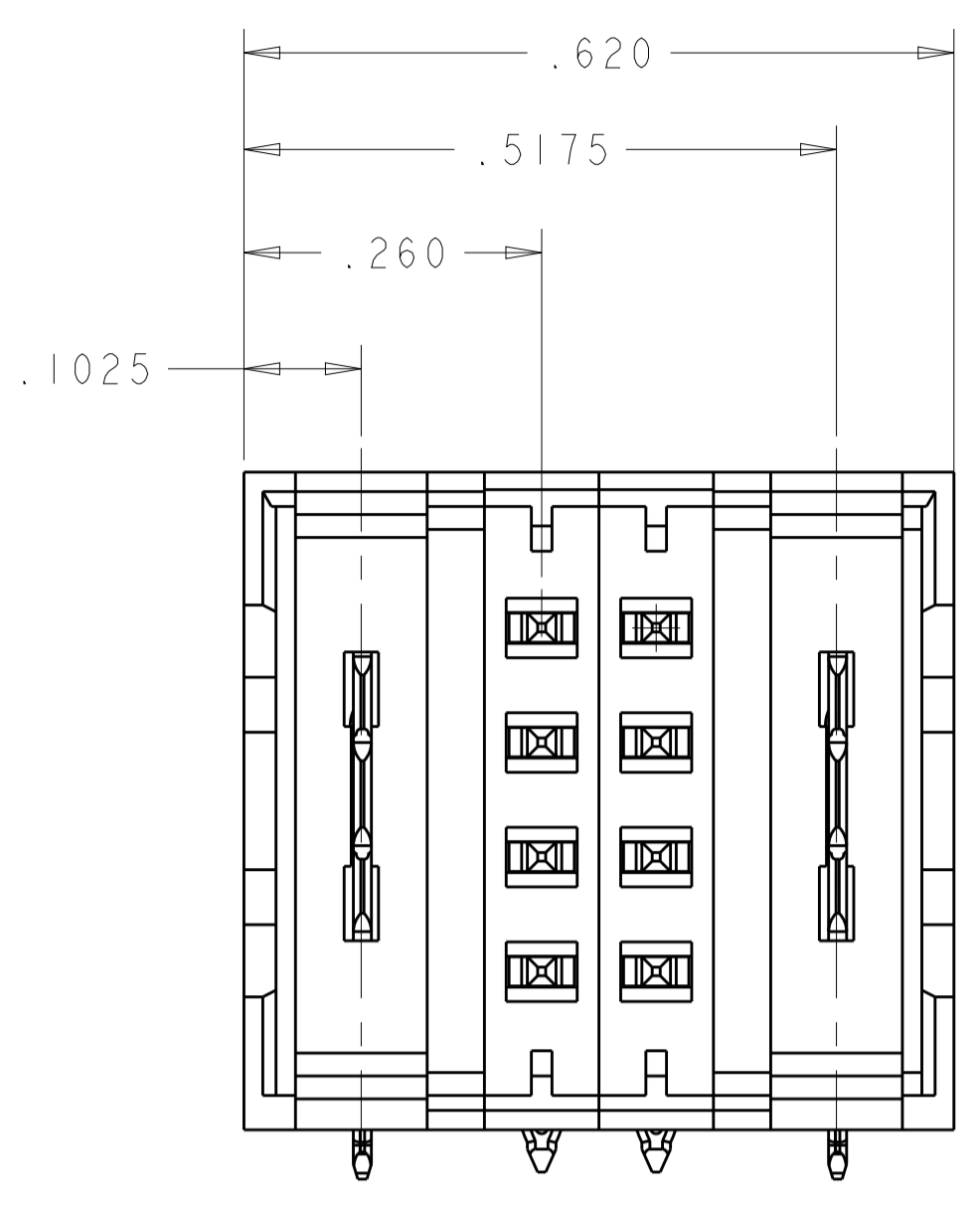
LOC		DIST		REVISIONS				
ES	00	P	LTN	DESCRIPTION	DATE	DWN	APVD	
		-		SEE SHEET 1				



PART NUMBER	ROWS	POWER			SIGNAL								POWER					
		P1	P2	LPI	1	2	3	4	5	6	7	8	P3	P4	P5	LP2	P6	
6450849-7	D				Z5	Z5	Z5	Z5	Z5	Z5	Z5	Z5						
	C	TT	TT	LT	Y5	Y5	Y5	Y5	Y5	Y5	Y5	Y5	TT	TT	TT	LT	TT	
	B				R5	R5	R5	R5	R5	R5	R5	R5						
	A				O5	O5	O5	O5	O5	O5	O5	O1						

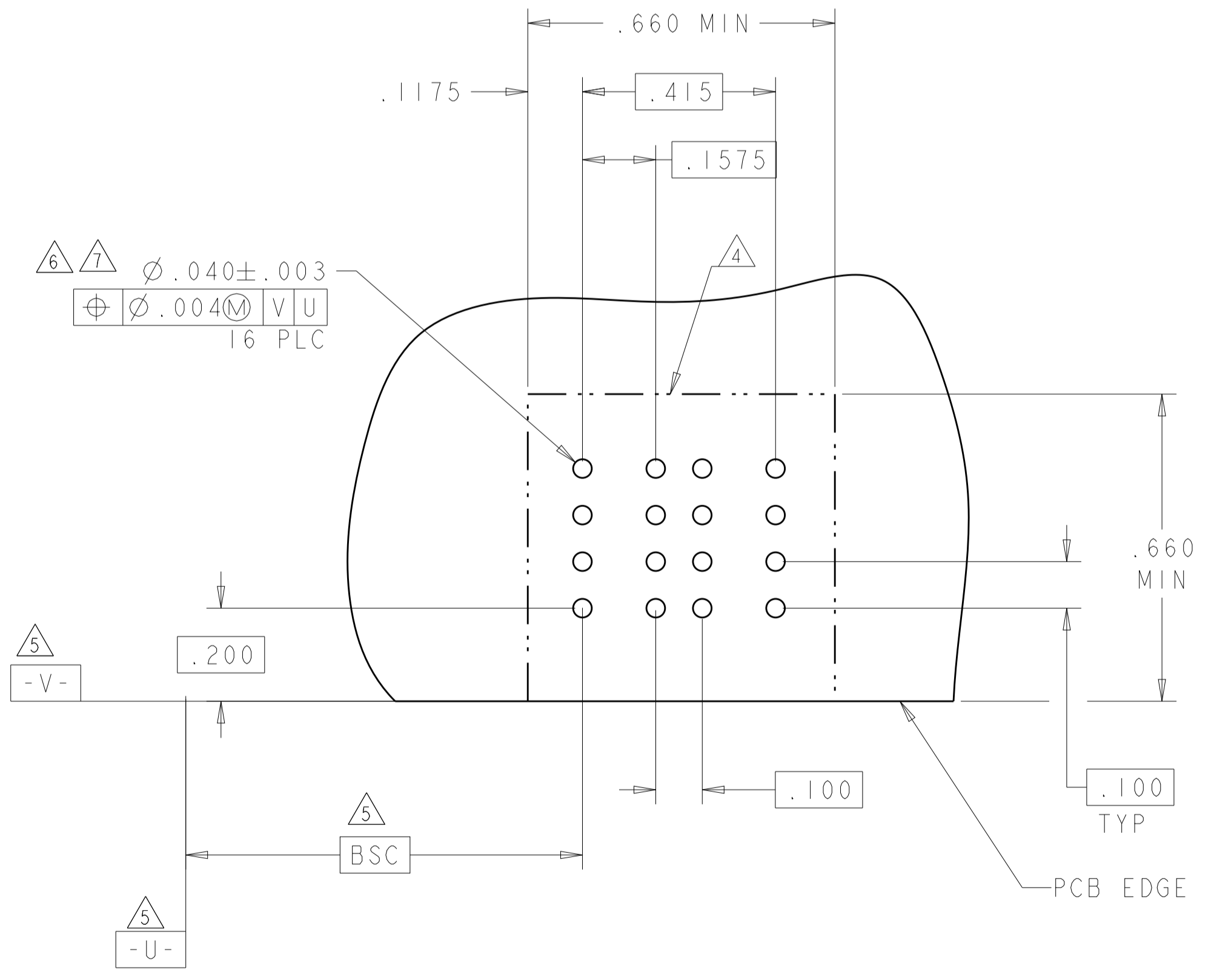
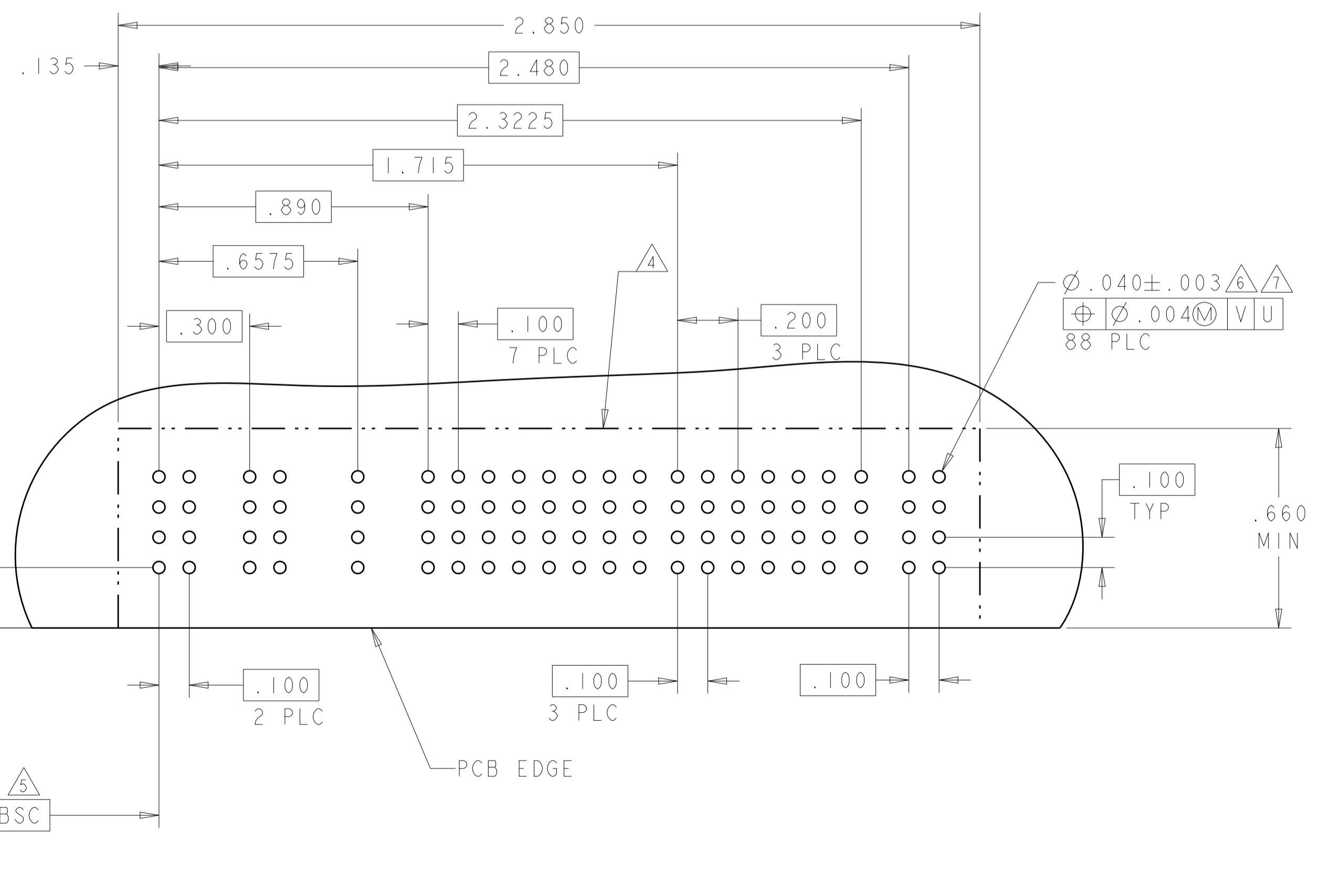
2ACP+1LP+32S+3HDP+1LP+1HDP

C2



PART NUMBER	ROWS	POWER	SIGNAL		POWER
		LPI	1	2	LP2
6450849-8	D		Z5	Z5	
	C	LT	Y5	Y5	LT
	B		R5	R5	
	A		O5	O5	

1LP + 8S + 1LP



THIS DRAWING IS A CONTROLLED DOCUMENT.

DIMENSIONS: INCHES

TOLERANCES UNLESS OTHERWISE SPECIFIED:

0 PLC	±.
1 PLC	±.01
2 PLC	±.01
3 PLC	±.005
4 PLC	±.0020
ANGLES	±.020

MATERIAL: - FINISH: -

OWN: H.LIU 30APR2008
 CHK: S.ZHAO 30APR2008
 APVD: S.YAO

NAME: RIGHT ANGLE HEADER ASSEMBLY NO GUIDES MULTI-BEAM XLE

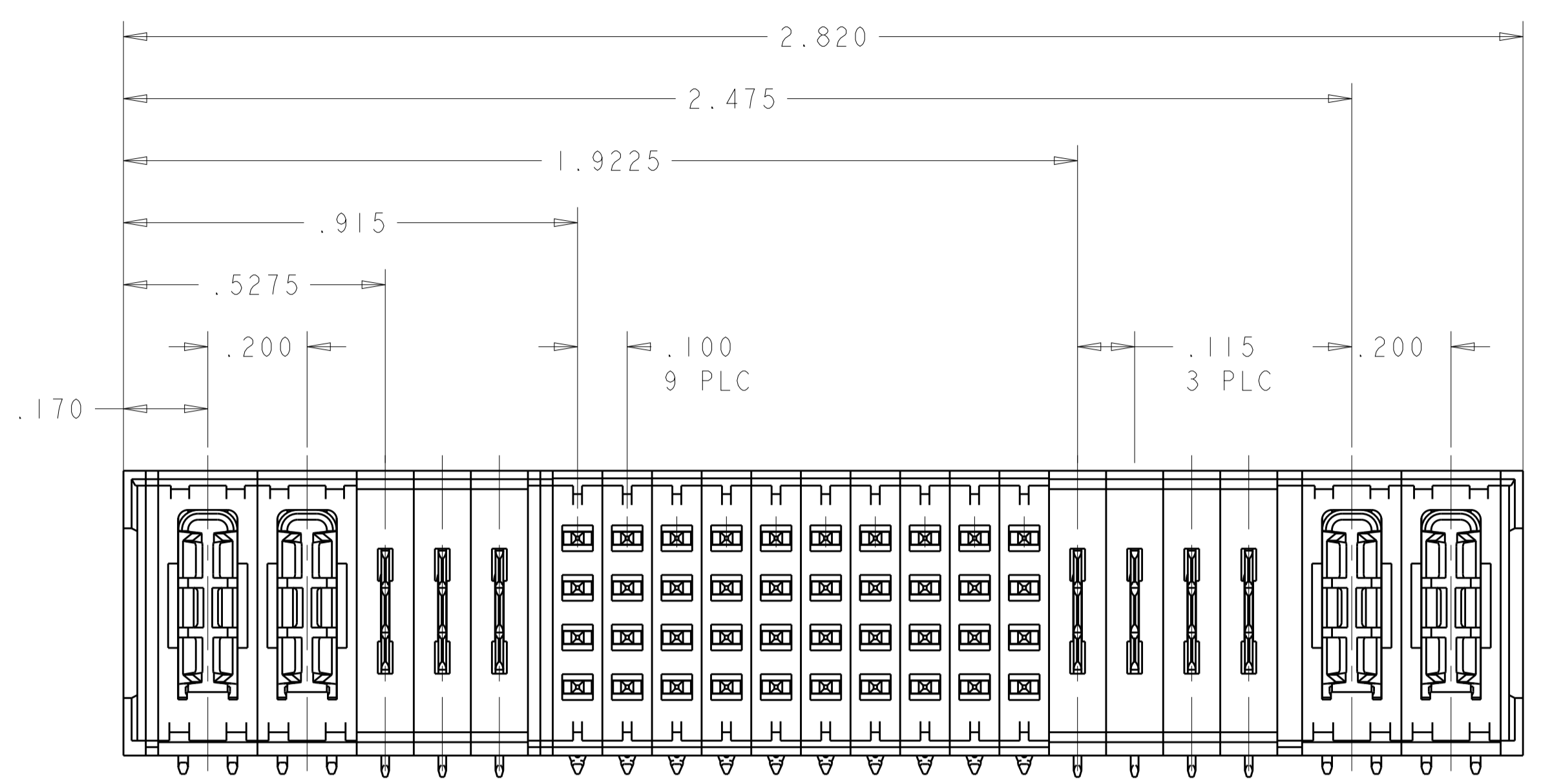
PRODUCT SPEC: 108-2292
 APPLICATION SPEC: 114-13038

SIZE: A100779 C=6450849
 CAGE CODE: - DRAWING NO: -
 WEIGHT: -
 CUSTOMER DRAWING

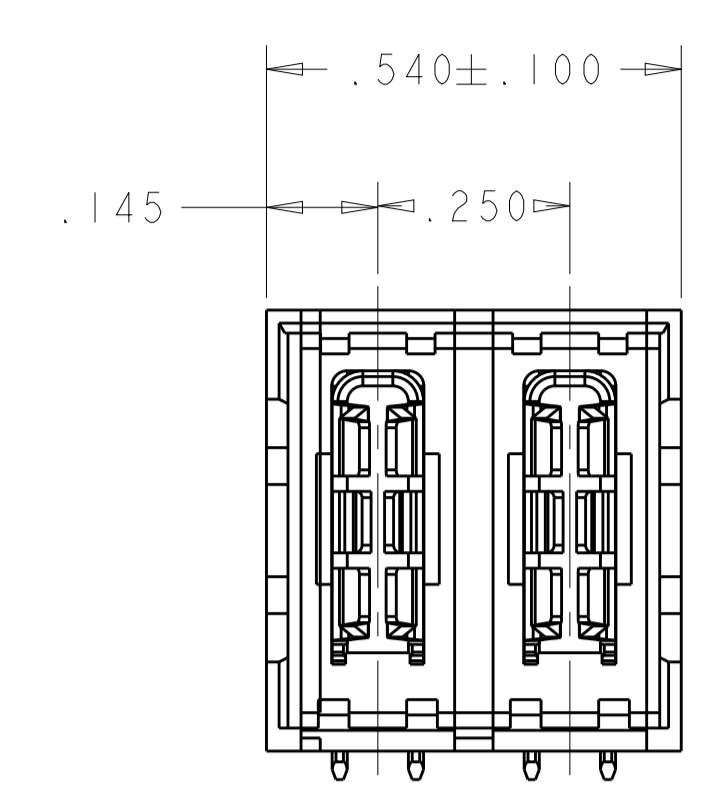
SCALE: 4:1 SHEET 5 OF 8 REV: D3

STE TE Connectivity

LOC		DIST		REVISIONS			
P	LTN	DATE	DMN	APVD	DESCRIPTION	DATE	DMN
-	-	-	-	-	SEE SHEET 1	-	-

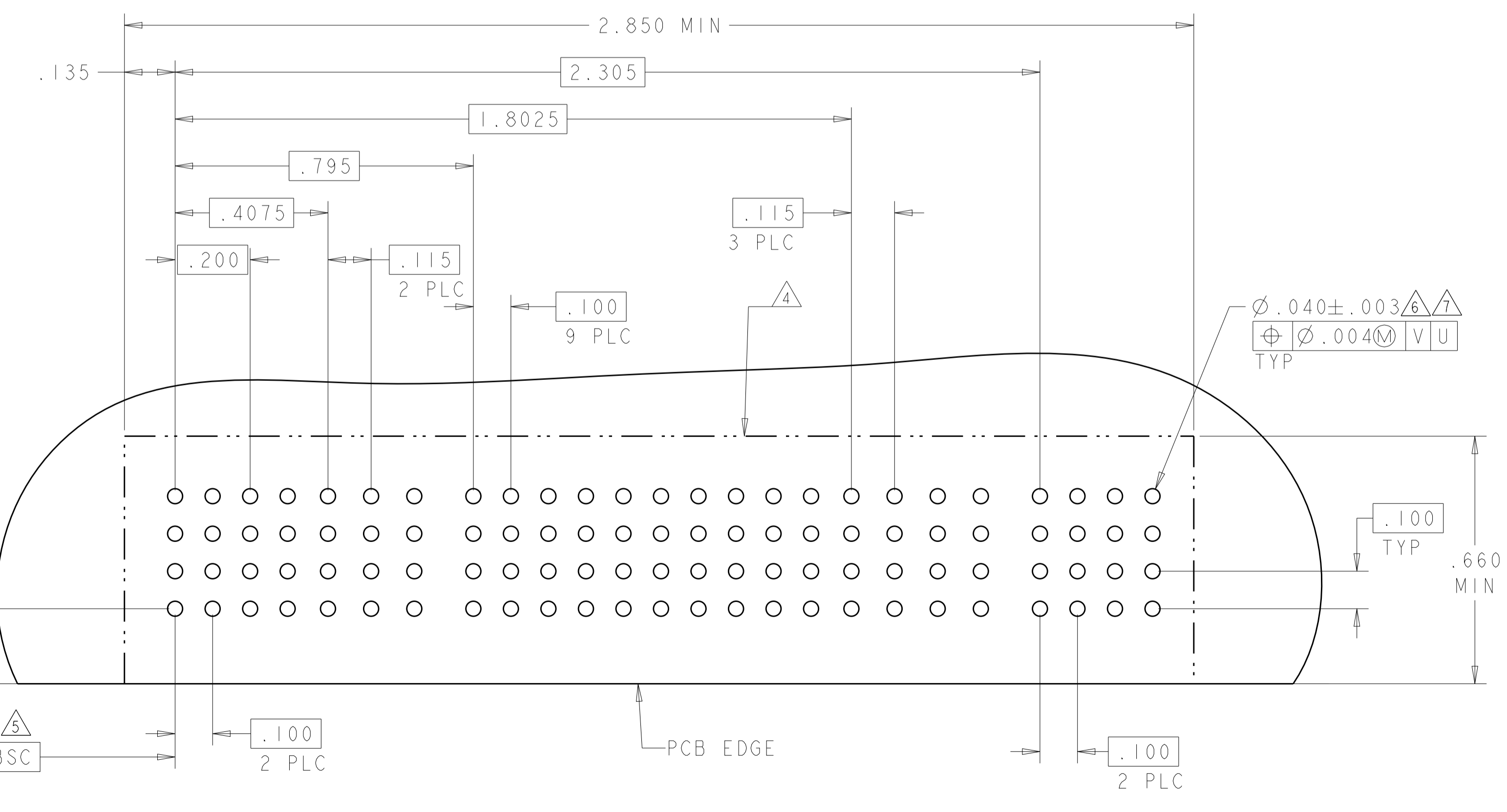


(C5)

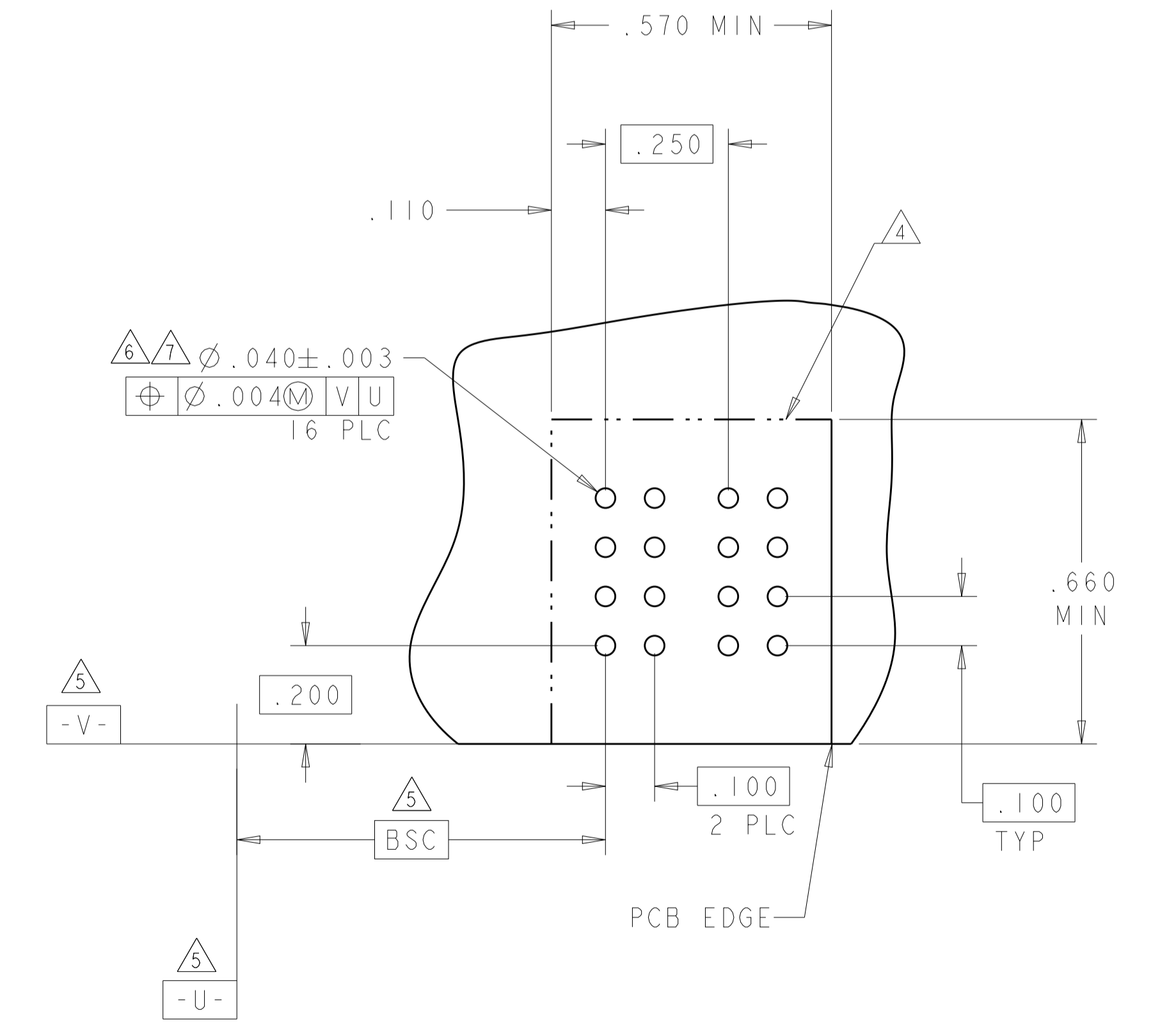


PART NUMBER	ROWS	POWER					SIGNAL										POWER					
		P1	P2	LP1	LP2	LP3	1	2	3	4	5	6	7	8	9	10	P3	P4	P5	LP2	P6	
6450849-9	D						Z5	Z5	Z5	Z5	Z5	Z5	Z5	Z5	Z5							
	C	TT	TT	LT	LT	LT	Y5	Y5	Y5	Y5	Y5	Y5	Y5	Y5	Y5							
	B						R5	R5	R5	R5	R5	R5	R5	R5	R5							
	A						O5	O5	O5	O5	O5	O5	O5	O5	O5							
2HDP+3LP+40S+4LP+2HDP																						

PART NUMBER	ROWS	POWER	
		P1	P2
I-6450849-0	D		
	C	TT	TT
	B		
	A		
2P			

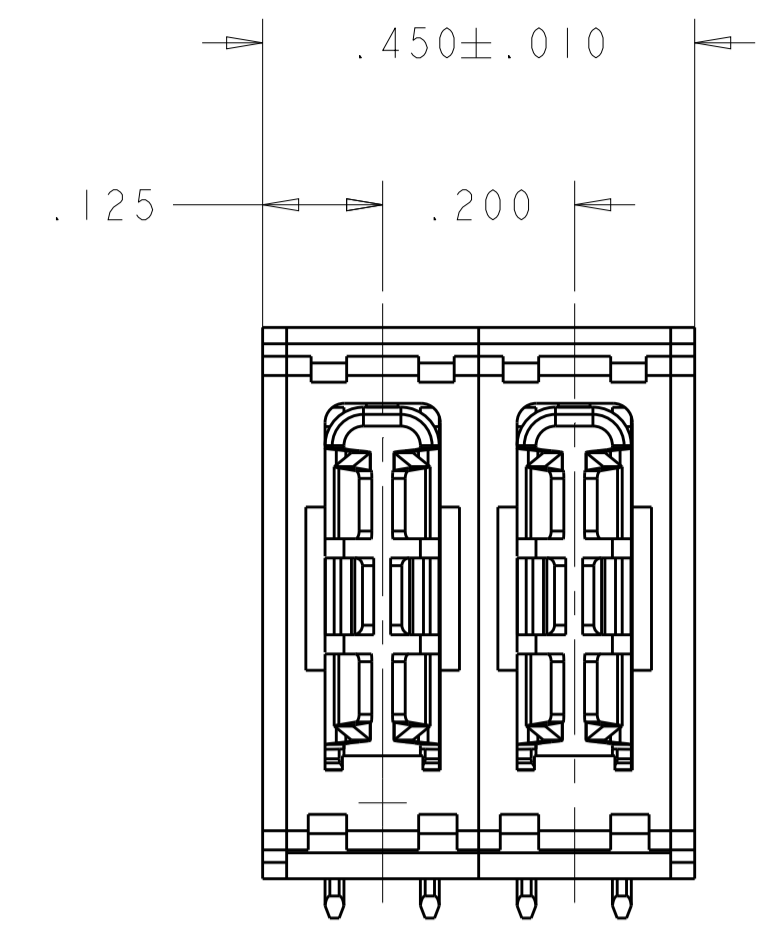


(C5)

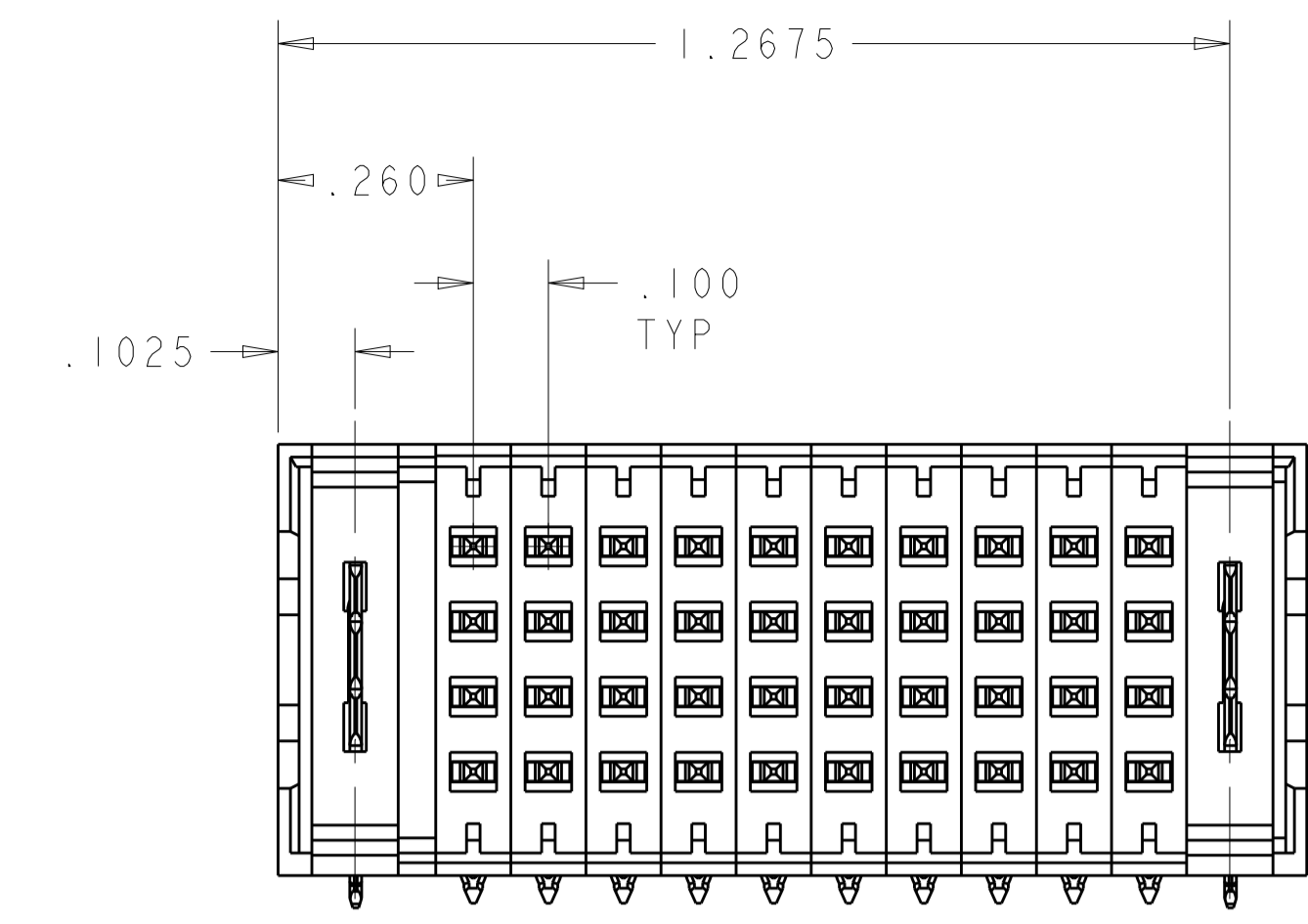
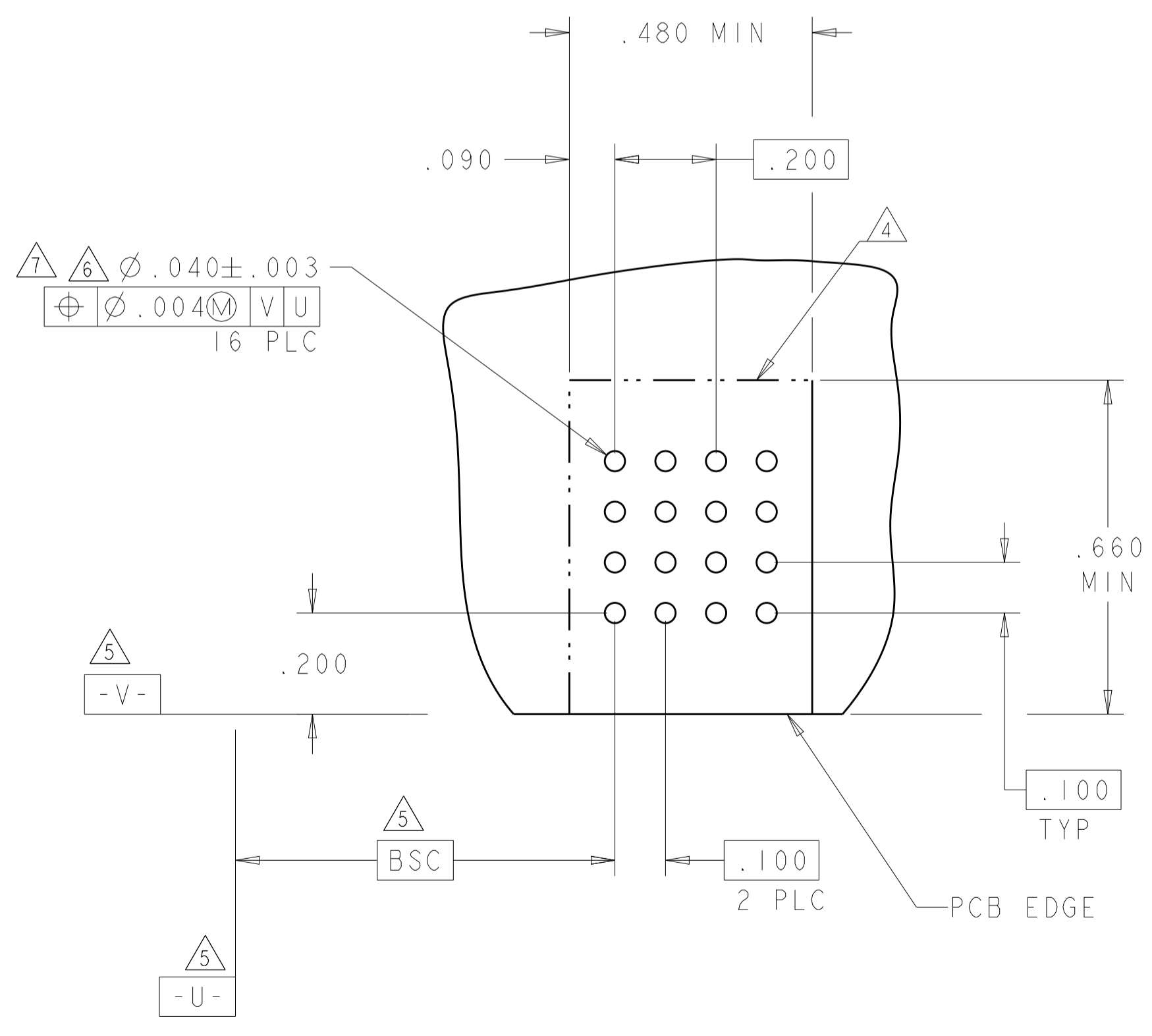


THIS DRAWING IS A CONTROLLED DOCUMENT.		DMN: H.LIU 30APR2008	TE Connectivity
DIMENSIONS: INCHES		CHK: S.ZHAO 30APR2008	
TOLERANCES UNLESS OTHERWISE SPECIFIED: 0 PLC ±. 1 PLC ±.01 2 PLC ±.01 3 PLC ±.005 4 PLC ±.002 ANGLES ±.020		APVD: S.YAO PRODUCT SPEC: 108-2292 APPLICATION SPEC: 114-13038	
MATERIAL:	FINISH:	WEIGHT:	SIZE: A100779 CAGE CODE: 6450849 CUSTOMER DRAWING: SCALE 4:1 SHEET 6 OF 8 REV D3

LOC		DIST		REVISIONS			
ES	00	P	LTN	DESCRIPTION	DATE	DWN	APVD
		-		SEE SHEET 1			

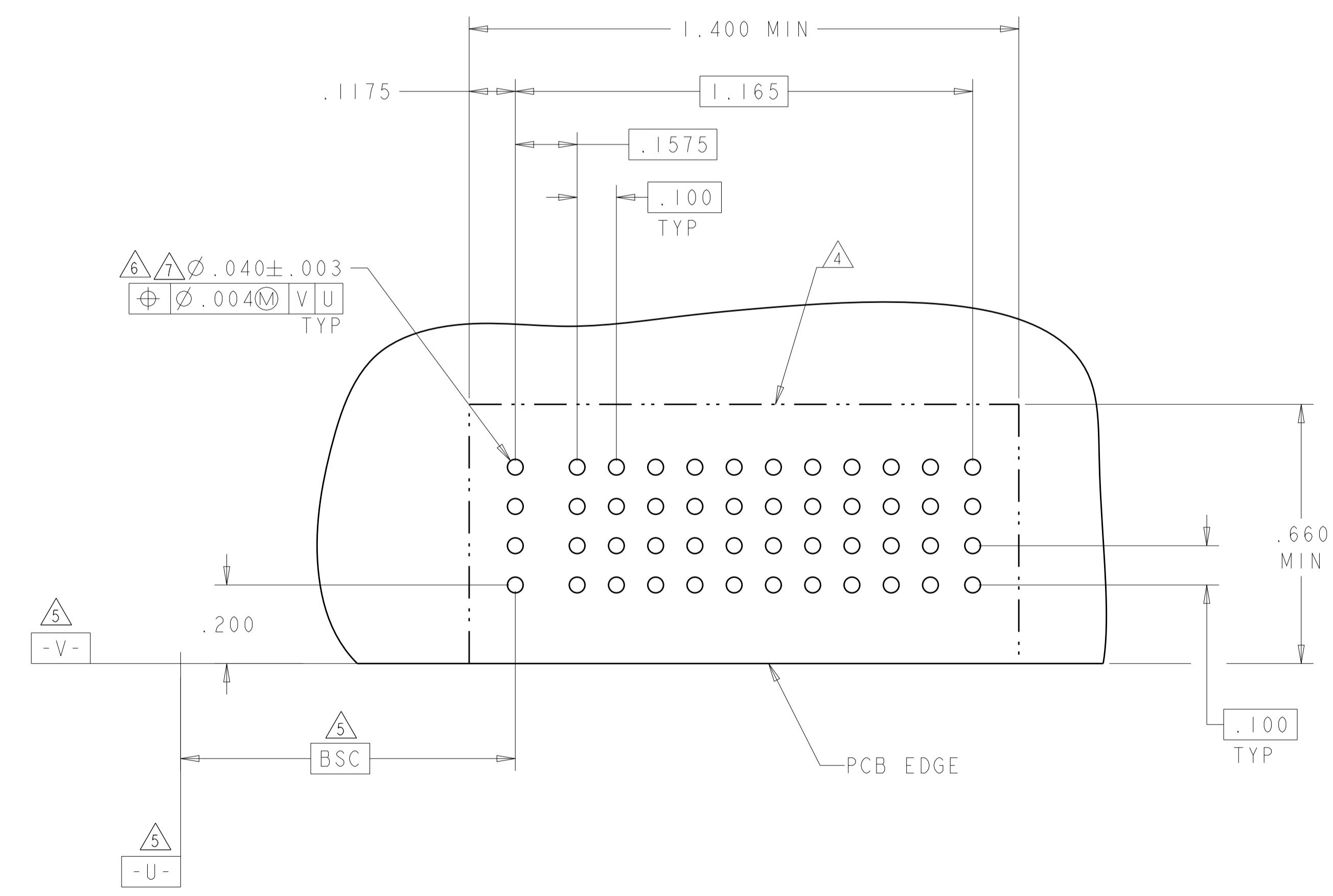


PART NUMBER	ROWS	POWER	
		P1	P2
I-6450849-2	D	TT	TT
	C		
	B		
	A		
	2P		



OTHER DIMENSIONS PLEASE REFER TO PAGE 1

PART NUMBER	ROWS	POWER		SIGNAL										POWER		
		LP1		1	2	3	4	5	6	7	8	9	10	LP2		
I-6450849-3	D	LT	LT	Z5	Z5	Z5	Z5	Z5	Z5	Z5	Z5	Z5	Z5	Z5	Z5	LT
	C			Y5	Y5	Y5	Y5	Y5	Y5	Y5	Y5	Y5	Y5	Y5		
	B			R5	R5	R5	R5	R5	R5	R5	R5	R5	R5	R5		
	A			O5	O5	O5	O5	O5	O5	O5	O5	O5	O5	O5		
ILP + 40S + ILP																



THIS DRAWING IS A CONTROLLED DOCUMENT.

DIMENSIONS: INCHES

TOLERANCES UNLESS OTHERWISE SPECIFIED:

0 PLC	±
1 PLC	±.01
2 PLC	±.01
3 PLC	±.005
4 PLC	±.0020
ANGLES	±.020

MATERIAL: - FINISH: -

OWN: H.LIU 30APR2008
 CHK: S.ZHAO 30APR2008
 APVD: S.YAO

NAME: RIGHT ANGLE HEADER ASSEMBLY NO GUIDES MULTI-BEAM XLE

PRODUCT SPEC: 108-2292
 APPLICATION SPEC: 114-13038

SIZE: A1 CAGE CODE: 100779 DRAWING NO: 6450849

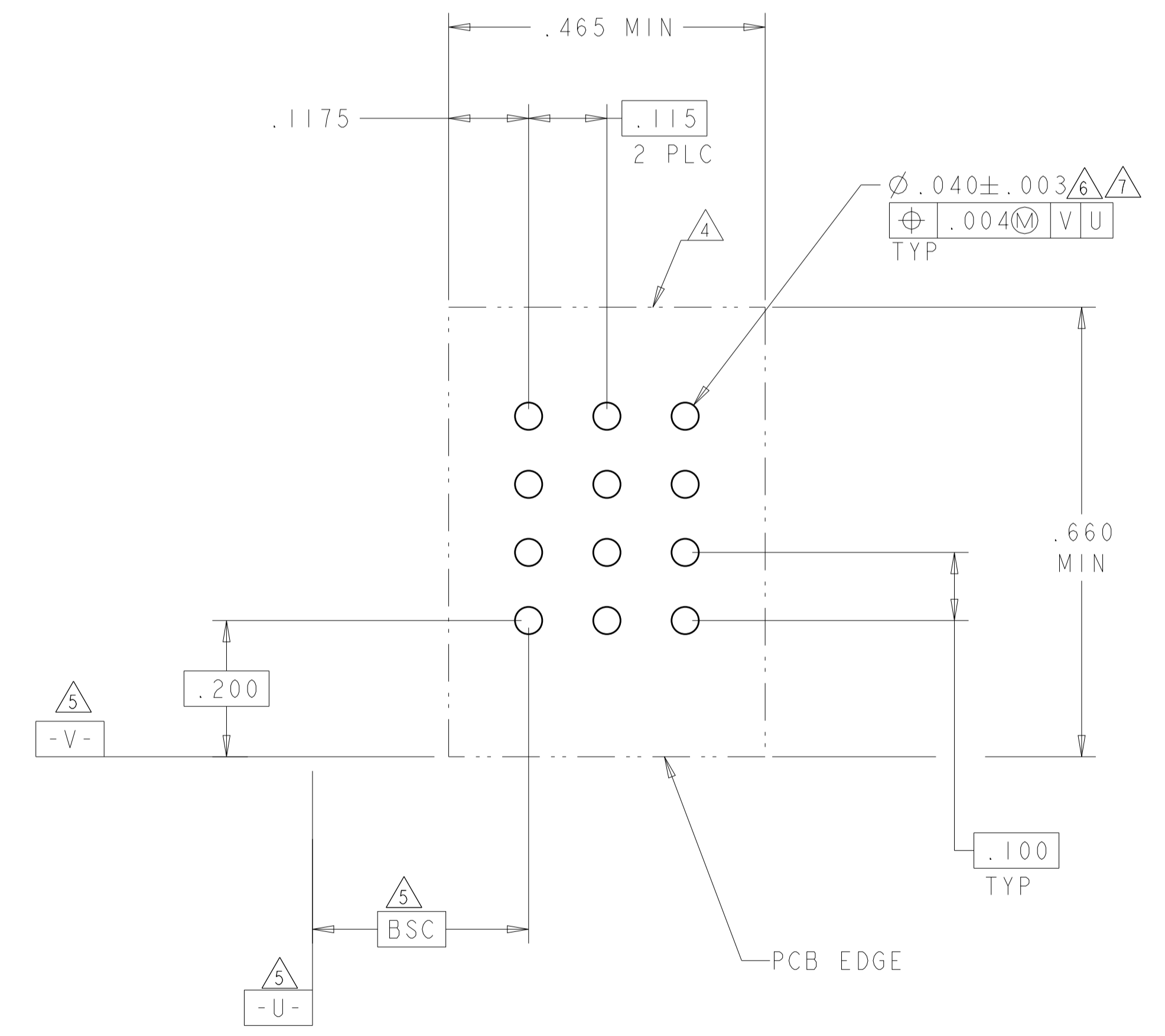
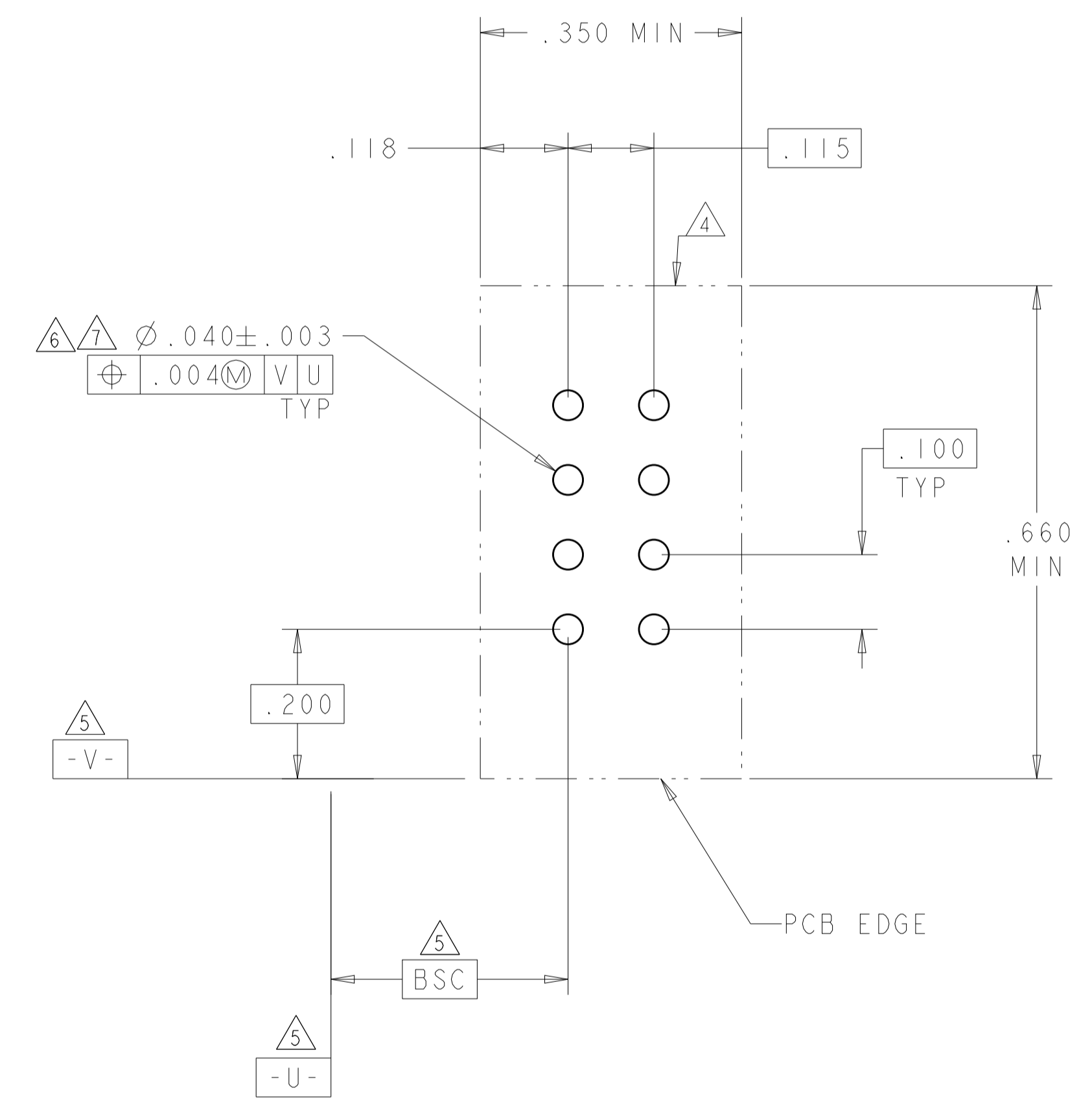
RESTRICTED TO: -

CUSTOMER DRAWING SCALE: 4:1 SHEET: 7 OF 8 REV: D3

LOC	DIST	REVISIONS			
P	LTN	DESCRIPTION	DATE	DMN	APVD
ES	00	SEE SHEET 1	-	-	-

PART NUMBER	ROWS	LOW POWER	
		LPI	LP2
I-6450849-4	D	LT	LT
	C		
	B		
	A		
2LP			

PART NUMBER	ROWS	LOW POWER		
		LPI	LP2	LP3
I-6450849-5	D	LT	LT	LT
	C			
	B			
	A			
3 LP				



THIS DRAWING IS A CONTROLLED DOCUMENT.

DIMENSIONS: INCHES	TOLERANCES UNLESS OTHERWISE SPECIFIED: 0 PLC ±. 2 PLC ±.01 3 PLC ±.005 4 PLC ±.0020 ANGLES ±.2°	FINISH	APVD: S. YAO	DATE: 30APR2008	CHK: S. ZHAO	DATE: 30APR2008	NAME: S. YAO	PRODUCT SPEC: 108-2292	APPLICATION SPEC: 114-13038	WEIGHT: -	RESTRICTED TO: -
MATERIAL: -	FINISH: -	WEIGHT: -	CUSTOMER DRAWING	SCALE: 4:1	SHEET: 8 OF 8	REV: D3	RIGHT ANGLE HEADER ASSEMBLY NO GUIDES MULTI-BEAM XLE SIZE: A100779 C=6450849				

4805 (3/11)